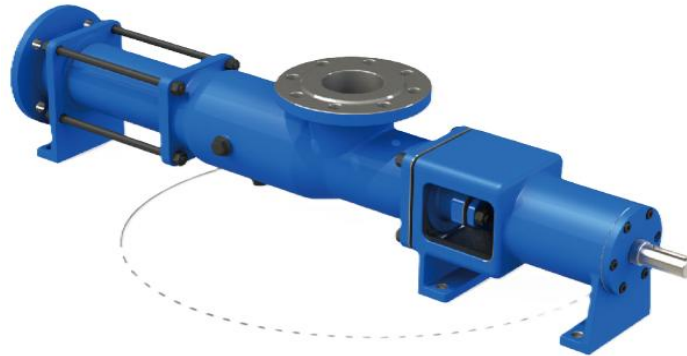


## PRODUCT SPECIFICATIONS

### MODEL: SSG

### SINGLE SCREW PUMP



### WORKING PRINCIPLE

- SSG series single screw pump is an internal meshing rotary displacement pump, featuring a sealed screw mechanism. Its core components include a stator with a dual-helical cavity and a single-helical rotor screw that engages with the stator bore. When the drive shaft rotates the rotor via a universal joint, the stator acts as a planetary element, enabling the rotor to orbit continuously within the stator. This motion forms sealed cavities that move axially at a constant volume, transporting the medium smoothly from the suction end to the discharge end. The medium flows without agitation or disruption, making the pump suitable for handling viscous fluids, as well as liquids containing abrasive solids or hard particles.

### APPLICATIONS

- SSG series single screw pumps are capable of pumping neutral or corrosive liquids, clean or abrasive fluids, gases or frothing liquids, and substances with high or low viscosity, including those with fibrous or solid content.
- The SSG series is a primary product line of our factory and finds extensive application across numerous sectors.
- The SSGS series is derived from the standard G series but features a specialized pump casing. The "S" designation indicates quick-clean capability, allowing for effortless disassembly and thorough cleaning of every component.
- Food Industry: Transfer of spirits, wines, waste residues, and additives in breweries.
- Textile Industry: Conveyance of synthetic fiber liquids and viscose solutions.
- Paper Industry: Handling of black liquor and pulp suspensions.
- Petroleum Industry: Management of various oils, fats, and grease products.
- Chemical Industry: Transfer of suspended liquids, emulsions, acid solutions, alkaline liquids, and brines.
- Shipbuilding: Handling of residual oils, serving as Butterworth pumps, sewage pumps, and seawater pumps.
- Construction Industry: Pumping of mortar and plaster mixes.
- Nuclear Industry: Transport of radioactive liquids.
- Metallurgy & Mining: Conveyance of slurries, tailings, liquid explosives, and my dewatering.
- Power Plants: Used for coal-water slurry transportation.

## STRUCTURE FEATURE

1. The coupling rod terminates at both ends in a pin-type universal joint. The pin and bushing are made of special metal, greatly improving the durability of the joint. Simple construction, easy and quick to dismantle.
2. Stator provided at both ends with external collars of vulcanized rubber which provide a safe seal to the suction and discharge section. It protects the stator casing against corrosion.
3. Between the suction casing and bearing housing is situated an interchangeable housing for a stuffing box or mechanical seal (pumps can be converted retrospectively to a different type of seal).
4. SSGS series pumps have suction and discharge connections with threaded connections according to DIN 1187-A as a standard. Thus, a quick disassembly of pipe and hose connections on the suction and pressure side is possible.

## ADVANTAGES

1. Simple structure, no special tools required for fast disassembly.
2. Mechanical vibration is small, no pulsation, smooth movement.
3. Good self-priming performance, good suction performance.
4. Low noise.
5. Can reverse delivery direction.
6. Can convey liquid containing fibrous materials and solid particles.
7. Can transport all media, including very viscous and water-containing types.
8. Can also transport gas-containing media under negative pressure.

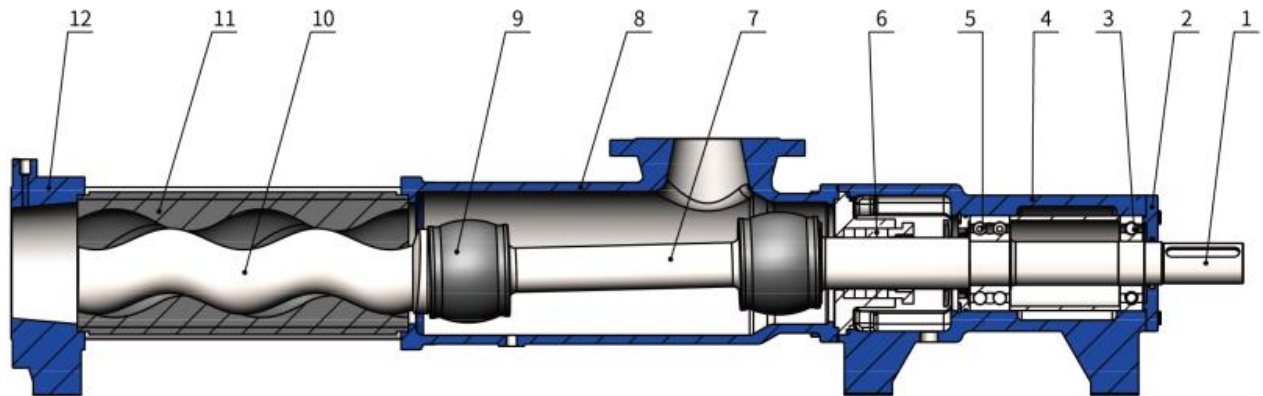
## INSTALLATION

- SSG and SSGS series screw pumps can be installed horizontally or vertically.
- The pump and drive motor are connected by a flexible coupling or an intermediate transmission device and are mounted on the same base plate. Unit installation dimensions are provided according to user requirements.

## POSSIBLE DRIVE ARRANGEMENTS

1. With flexible coupling and variable frequency speed control motor drive.
2. With flexible coupling and infinitely variable speed motor drive.
3. With flexible coupling and fixed reduction motor drive.
4. Backpack-type motor drive arrangement.

## Structural View



No.	Name	No.	Name
1	Drive Shaft	7	Coupling rod
2	Baring Cover	8	Suction casing
3	Radial bearing	9	Universal coupling
4	Bearing Housing	10	Rotor
5	Axial Bearing	11	Stator
6	Seal	12	Discharge casing

## Technical Characteristics

The output permitted speed range and drive power required can be taken from the selection chart.

Maximum pressure of pump casing	1.6MPa	
Maximum delivery pressure Single stage Two stages	0.6MPa 1.2MPa	Note also the permitted
Suction obtainable	0.085MPa	Depending on operating conditions, number of stages direction of rotation and type of shaft seal.
Maximum permitted temperature for liquid pumped	150°C	Depending on the liquid being pumped and the elastomers used.
Maximum permissible viscosity	270000cSt	Depending on the liquid being pumped and pump size and speed of the pump.
Maximum permissible solid content	60% by volume	Depending on pump size and nature and size of solids.

## SSG SERIES SINGLE SCREW PUMP PERFORMANCE DATA

Model	Pressure (0.3MPa)				Pressure (0.6MPa)				
	Speed	Capacity	Shaft Power	Motor/Gear Reducer	Speed	Capacity	Shaft Power	Motor/Gear Reducer	
	r/min	m <sup>3</sup> /h	kw		r/min	m <sup>3</sup> /h	kw		
SSG(GS)20-1	970	1.28	0.58	Y100L-6(1.5kw)	970	1.06	0.73	Y100L-6(1.5kw)	
	720	0.81	0.45	Y132S-8(2.2kw)	720	0.58	0.56	Y132S-8(2.2kw)	
	579	0.50	0.33	YCJ71(1.1kw)	579	0.27	0.41	YCJ71(1.1kw)	
	513	0.41	0.29		513	0.22	0.36		
	452	0.33	0.26		452	0.15	0.32		
393	0.22	0.23		393	0.10	0.28			
SSG(GS)25-1	720	2.45	0.47	Y132S-8(2.2kw)	720	2.20	0.69	Y132S-8(2.2kw)	
	570	1.89	0.39	YCJ71(0.75kw)	579	1.60	0.54	YCJ71(1.1kw)	
	506	1.63	0.35		513	1.40	0.50		
	445	1.45	0.31		452	1.14	0.45		
	388	1.18	0.28		393	0.90	0.39		
	334	1.00	0.25		339	0.70	0.34		
	284	0.76	0.22		288	0.53	0.31		
SSG(GS)35-1	579	3.90	0.70	YCJ71(0.75kw)	579	3.25	1.06	YCJ71(1.5kw)	
	513	3.40	0.61		513	2.80	0.95		
	452	3.00	0.54		452	2.30	0.83		
	393	2.50	0.46		393	1.90	0.73		
	339	2.00	0.42		339	1.50	0.63		
	288	1.60	0.36		288	1.15	0.54		
	217	1.10	0.29						
SSG(GS)40-1	579	7.90	1.06	YCJ71(1.5kw)	587	6.80	1.80	YCJ71(2.2kw)	
	513	6.90	0.93		520	5.70	1.61		
	452	5.90	0.82		458	4.80	1.43		
	393	5.10	0.74		399	4.00	1.21		
	339	4.20	0.63		344	3.00	1.05		
	288	3.30	0.53		292	2.20	0.90		
	240	2.65	0.47		244	1.60	0.75		
	186	1.70	0.36		YCJ132(1.1kw)				
SSG(GS)50-1	587	15.70	2.42	YCJ71(3kw)	571	13.40	3.61	YCJ80(4kw)	
	520	13.80	1.95		504	11.50	3.20		
	458	12.10	1.64		442	9.50	2.75		
	399	10.20	1.45		383	7.50	2.40		
	344	8.80	1.16		327	6.00	2.02		
	292	7.10	0.96		275	4.40	1.71		
	244	5.60	0.85		YCJ71(2.2kw)	223	2.80		1.46
	171	3.50	0.60	YCJ132(2.2kw)					
SSG70-1	571	31.00	4.30	YCJ80(5.5kw)	545	25.00	7.04	YCJ100(11kw)	
	504	27.00	3.43		479	21.00	6.11		
	442	24.00	2.99		417	17.90	5.47		
	383	20.00	2.53		360	13.50	4.70		
	327	16.50	2.22		305	9.50	3.99		
	244	12.00	1.63	YCJ100(4kw)	250	7.00	2.88	YCJ100(7.5kw)	
	208	8.80	1.50	YCJ160(4kw)	194	3.80	2.47	YCJ180(7.5kw)	
	149	5.20	0.95						
SSG85-1	346	35.00	5.80	R802(11kw)	346	27.00	8.80	R802(15kw)	
	284	28.00	5.50		284	20.00	8.00		
	248	23.00	5.00		248	16.00	7.20		
	212	20.00	4.80	R702(7.5kw)	210	13.00	6.50	R902(11kw)	
	184	16.00	4.40	R702(5.5kw)	186	9.00	5.70		
SSG105-1	162	14.00	3.90	R802(5.5kw)	162	8.00	5.00	R702(7.5kw)	
	346	66.00	10.00	R802(15kw)	306	55.00	13.00	R902(11kw)	
	284	54.00	8.00		284	44.00	11.00	R142(55kw)	
	248	44.00	7.00		248	34.00	9.50		
	210	35.00	6.00	R902(11kw)	210	28.00	8.40	R142(55kw)	
	186	29.00	5.00		196	22.00	7.00		
162	23.00	4.40	R702(7.5kw)	156	16.00	6.00	R132(37kw)		
SSG135-1	321	128.00	20.00	R142(37kw)	325	120.00	35.00	R142(55kw)	
	306	122.00	19.00	R92(30kw)	282	95.00	30.00	R142(55kw)	
	253	95.00	16.00	R92(22kw)	245	80.00	26.00	R132(37kw)	
	212	80.00	14.00	R92(18.5kw)	212	64.00	23.00	R92(30kw)	
	187	68.00	12.00		187	55.00	20.00		
156	50.00	10.00	R902(15kw)	157	40.00	16.00	R92(22kw)		

## SSG SERIES SINGLE SCREW PUMP PERFORMANCE DATA

Model	Pressure (0.3MPa)				Pressure (0.6MPa)					
	Speed	Capacity	Shaft Power	Motor/Gear Reducer	Speed	Capacity	Shaft Power	Motor/Gear Reducer		
	r/min	m <sup>3</sup> /h	kw		r/min	m <sup>3</sup> /h	kw			
SSG(GS)20-2	970	1.45	0.90	Y100L-6(1.5kw)	970	1.35	1.07	Y100L-6(1.5kw)		
	720	1.00	0.70	Y132S-8(2.2kw)	720	0.92	0.83	Y132S-8(2.2kw)		
	579	0.75	0.65	YCJ71(1.1kw)	579	0.68	0.76	YCJ71(1.1kw)		
	513	0.62	0.60		513	0.54	0.70			
	452	0.52	0.55		452	0.40	0.65			
393	0.35	0.47		393	0.28	0.52				
SSG(GS)25-2	720	2.41	1.14	Y132S-8(2.2kw)	720	2.20	1.43	Y132S-8(2.2kw)		
	579	1.86	0.96	YCJ71(1.5kw)	579	1.65	1.18	YCJ71(1.5kw)		
	513	1.62	0.85		513	1.40	1.05			
	452	1.44	0.75		452	1.14	0.96			
	393	1.15	0.69		393	0.90	0.86			
	339	0.99	0.61		339	0.70	0.70			
288	0.81	0.53	288		0.53	0.66				
SSG(GS)35-2	587	3.90	1.70	YCJ71(2.2kw)	587	3.40	2.22	YCJ71(3kw)		
	520	3.50	1.61		520	3.00	2.00			
	458	2.90	1.35		458	2.50	1.69			
	399	2.50	1.15		399	2.00	1.50			
	344	2.05	1.08		344	1.60	1.28			
	292	1.70	0.87		292	1.15	1.15			
	244	1.35	0.72		247	0.75	1.00		YCJ80(3kw)	
SSG(GS)40-2	571	7.40	2.91	YCJ80(4kw)	571	6.80	3.73	YCJ80(5.5kw)		
	504	6.30	2.46		504	5.80	3.35			
	442	5.40	2.19		442	4.90	2.87			
	383	4.50	1.89		383	4.20	2.45			
	327	3.80	1.63		327	3.30	2.15			
	275	3.00	1.36		244	2.00	1.79			
	223	2.20	1.12	YCJ80(3kw)	208	1.60	1.46	YCJ100(4kw)		
	196	1.90	1.07	YCJ132(3kw)				YCJ160(4kw)		
SSG(GS)50-2	537	13.70	4.66	YCJ100(7.5kw)	545	13.00	6.48	YCJ100(11kw)		
	472	11.70	3.92		479	10.00	5.65			
	411	10.00	3.41		417	8.80	4.86			
	355	8.60	2.90		360	7.00	4.16			
	301	7.20	2.46		305	5.50	3.58			
	250	5.10	2.14		250	3.80	3.02		YCJ100(7.5kw)	
	208	3.90	1.60		YCJ160(5.5kw)	194	2.30		2.20	YCJ180(7.5kw)
	SSG70-2	545	30.00		9.80	YCJ100(11kw)	545		26.00	13.50
479		26.00	9.00	479	23.00		12.80			
417		22.50	8.10	417	20.00		12.10			
360		18.00	7.50	360	16.00		9.70			
305		15.00	6.70	305	12.00		8.78			
254		12.00	6.10	YCJ112(11kw)	254		92.00	6.40	YCJ1112(11kw)	
194		7.50	5.00	YCJ180(7.5kw)	189		3.20	6.00	YCJ200(11kw)	
121		3.00	4.50							
SSG85-2	346	28.00	10.00	R802(15kw)	306	21.00	10.50	R92(18.5kw)		
	284	21.00	8.50		284	17.00	9.00	R802(15kw)		
	248	17.00	7.50		248	14.00	8.00			
	212	13.00	6.80		210	10.00	7.50			
	186	10.00	6.00		R902(11kw)	186	8.00	7.00	R902(11kw)	
	156	8.00	5.00			156	7.00	6.00		
SSG105-2	306	57.00	18.00	R92(30kw)	321	57.00	27.00	R142(37kw)		
	253	42.00	15.00	R92(22kw)	306	50.00	25.00	R92(30kw)		
	248	35.00	12.00	R802(15kw)	253	36.00	19.00			
	210	28.00	10.00	R902(15kw)	212	25.00	14.00	R92(18.5kw)		
	186	22.00	8.50	R902(11kw)	186	17.00	11.00	R902(15kw)		
	156	17.00	6.50		156	13.00	8.00			
SSG135-2	325	121.00	40.00	R142(55kw)	325	113.00	60.00	R142(55kw)		
	282	98.00	35.00	R142(45kw)	284	90.00	50.00			
	245	82.00	29.00	R132(37kw)	248	74.00	42.00	R132(55kw)		
	212	67.00	25.00	R92(30kw)	221	64.00	38.00	R132(45kw)		
	187	56.00	23.00		191	43.00	28.00			
	157	40.00	19.00	R92(22kw)	176	36.00	25.00	R132(37kw)		

## SSG SERIES SINGLE SCREW PUMP PERFORMANCE DATA.

Model	Pressure (0.3MPa)				Pressure (0.6MPa)			
	Speed	Capacity	Shaft Power	Motor/Gear Reducer	Speed	Capacity	Shaft Power	Motor/Gear Reducer
	r/min	m <sup>3</sup> /h	kw		r/min	m <sup>3</sup> /h	kw	
SSGN25-1	560	1.80	0.38	Y90S-6(0.75kw)	560	1.52	0.54	Y90S-6(0.75kw)
	450	1.46	0.31		450	1.13	0.44	
	360	1.07	0.26		360	0.74	0.36	
SSGN35-1	560	3.71	0.66	Y100L-6(1.5kw)	560	3.05	1.03	Y100L-6(1.5kw)
	450	2.98	0.53		450	2.28	0.82	
	360	2.12	0.44		360	1.59	0.66	
SSGN40-1	560	7.53	1.01	Y112M-6(2.2kw)	560	6.13	1.73	Y112M-6(2.2kw)
	450	5.87	0.81		450	4.71	1.40	
	360	4.46	0.66		360	3.13	1.09	
	250	2.76	0.48	Y132S-8(2.2kw)	250	1.63	0.76	Y132S-8(2.2kw)
SSGN50-1	560	14.86	2.10	Y132M1-6(4kw)	560	12.77	3.55	Y132M1-6(4kw)
	450	11.88	1.61		450	9.67	2.84	
	360	9.20	1.21	Y132S-6(3kw)	360	6.60	2.22	Y132S-6(3kw)
	250	5.73	0.87	Y1132M-8(3kw)	250	3.13	1.63	Y1132M-8(3kw)
SSGN70-1	560	30.00	3.81	Y160L-6(11kw)	560	25.68	7.23	Y160L-6(11kw)
	450	24.43	3.04		450	19.31	5.90	
	360	18.16	2.44	Y160L-8(7.5kw)	360	13.50	4.70	Y160L-8(7.5kw)
	250	12.29	1.67		250	7.00	2.88	
SSGN20-2	560	0.67	0.65	Y90L-6(1.1kw)	560	0.58	0.76	Y90L-6(1.1kw)
	450	0.51	0.54		450	0.39	0.64	
	360	0.32	0.43		360	0.25	0.47	
SSGN25-2	560	1.76	0.92	Y100L-6(1.5kw)	560	1.52	1.28	Y100L-6(1.5kw)
	450	1.43	0.74	Y90L-6(1.1kw)	450	1.13	0.95	Y90L-6(1.1kw)
	360	1.05	0.64		360	0.74	0.74	
SSGN35-2	560	3.70	1.68	Y132S-6(3kw)	560	3.23	2.15	Y132S-6(3kw)
	450	2.80	1.32		450	2.45	1.66	
	360	2.14	1.13		360	1.67	1.33	
	250	1.38	0.73	Y132S-8(2.2kw)	250	0.75	1.01	Y132S-8(2.2kw)
SSGN40-2	560	7.00	2.73	Y132M2-6(5.5kw)	560	6.44	3.72	Y132M2-6(5.5kw)
	450	5.49	2.22		450	4.98	2.92	
	360	4.18	1.79	Y132M1-6(4kw)	360	3.63	2.36	Y132M1-6(4kw)
	250	2.46	1.25	Y132M-8(3kw)	250	2.04	1.83	Y132M-8(3kw)
SSGN50-2	560	14.28	4.85	Y160L-6(11kw)	560	13.35	6.65	Y160L-6(11kw)
	450	10.94	3.73	Y160M-6(7.5kw)	450	9.49	5.24	Y160M-6(7.5kw)
	360	8.84	2.94	Y160L-8(7.5kw)	360	7.00	4.16	Y160L-8(7.5kw)
	250	5.10	2.14		250	3.80	3.02	
SSGN70-2	560	30.82	10.30	Y180L-6(15kw)	560	26.71	13.87	Y180L-6(15kw)
	450	24.28	8.74		450	21.58	12.50	
	360	18.00	7.50	Y180L-8(11kw)	360	16.00	9.70	Y180L-8(11kw)
	250	11.50	6.00		250	9.05	6.29	

## SSG SERIES SINGLE SCREW PUMP PERFORMANCE DATA.

Series	Pressure (Mpa)	Capacity (m <sup>3</sup> /h)	Axel Power (kw)	Speed (r/min)	Motor	Motor Speed (r/min)
SSG20-1	0.2	0.18-1.47	0.11-0.56	300-1000	MBW07(0.75kw)	200-1000
	0.4	0.13-1.31	0.14-0.65		MBW15(1.1kw)	
	0.6	0.06-1.13	0.16-0.80		MBW15(1.5kw)	
SSG20-2	0.8	0.19-1.45	0.37-0.96	300-1000	MBW15(1.5kw)	200-1000
	1.0	0.16-1.38	0.41-1.06			
	1.2	0.13-1.30	0.43-1.12			
SSG25-1	0.2	0.64-2.65	0.15-0.48	200-800	MBW07(0.75kw)	200-1000
	0.4	0.62-2.59	0.19-0.65		MBW15(1.5kw)	
	0.6	0.60-2.50	0.22-0.80			
SSG25-2	0.8	0.62-2.60	0.40-1.32	200-800	MBW40(3kw)	200-1000
	1.0	0.60-2.55	0.45-1.51			
	1.2	0.56-2.50	0.50-1.70			
SSG35-1	0.2	1.35-4.31	0.23-0.61	200-600	MBW15(1.1kw)	135-665
	0.4	1.28-4.15	0.33-0.90		MBW15(1.1kw)	
	0.6	1.10-4.10	0.42-1.11			
SSG35-2	0.8	1.20-4.10	0.65-0.76	200-600	MBW40(3kw)	135-665
	1.0	0.98-3.90	0.75-2.07		MBW40(4kw)	
	1.2	0.88-3.84	0.77-2.30			
SSG40-1	0.2	2.9-8.80	0.32-0.87	200-600	MBW15(1.5kw)	135-665
	0.4	2.7-8.60	0.49-1.34		MBW22(2.2kw)	
	0.6	2.26-6.90	0.64-1.85		MBW40(3kw)	
SSG40-2	0.8	2.41-8.10	1.17-3.12	200-600	MBW55(5.5kW)	135-665
	1.0	2.32-8.00	1.25-3.52			
	1.2	2.25-7.85	1.47-3.94			
SSG50-1	0.2	3.94-16.01	0.49-1.73	170-600	MBW40(3kw)	135-665
	0.4	3.26-15.46	0.78-3.07		MBW55(5.5kW)	
	0.6	2.03-14.80	1.01-3.81			
SSG50-2	0.8	3.53-14.80	1.50-5.54	170-550	MBW75(7.5kw)	135-665
	1.0	2.95-14.02	1.92-5.91			
	1.2	2.45-9.20	2.15-5.20			
SSG70-1	0.2	5-33	0.73-3.83	170-600	MBW55(5.5kW)	135-665
	0.4	4-31	1.29-5.92		MBW75(7.5kw)	
	0.6	2.7-17	1.82-5.34	170-400	MBW75-C(7.5kw)	80-400
SSG702	0.8	3.01-15.02	2.68-6.65	100-300	MBW75-C(7.5kw)	60-300
	1.0	2.3-10.30	3.0-6.70	100-250		
	1.2	1.55-9.50	3.16-6.76	100-250		

**PLEASE NOTE:**

1. The performance charts have been designed assuming the fluid to be water at 20°C, viscosity 1 cSt.
2. For ratings at different capacities and viscosities, consult the manufacturer.
3. Output is directly related to rotational speed and differential pressure.

**MODEL DATA**

No.	Name	Explanation			
1	Series	SSG series is ordinary series, low pressure compact of design.			
		SSGS series quick cleaning pump.			
		SSGN series-V-belt drive or infinitely variable speeds.			
		SSGCN Series-marine type.			
2	Size	SSG Series possible sizes:20,25,35,40,50,70,85,105,135.			
		SSGS Series possible sizes:20,25,35,40,50.			
		The number indicates nominal diameter of the rotor.			
3	Number of stages	1=Single stage up to 0.6MPa.			
		2=Two stage up to 1.2MPa.			
4	Type of shaft seal	P=Standard stuffing box.			
		Q=Stuffing box with flushing ring and lantern ring.			
		V=Mechanical seal (The GS type pump has only mechanical sealing).			
5	Material design	<b>Code</b>	<b>rotor</b>	<b>stator</b>	<b>all parts of the pump contacting with the media</b>
		W101	45	Perbunan N	45 HT20-40
		W102	1Cr18Ni9Ti	Perbunan N	1Cr18Ni9Ti ZG11Cr18Ni9Ti
		W105	1Cr18Ni9Ti	Food-grade rubber	1Cr18Ni9Ti ZG11Cr18Ni9Ti
		W108	45	Ethylene-propylene rubber	45 HT20-40
		W109	1Cr18Ni9Ti	Ethylene-propylene rubber	1Cr18Ni9Ti ZG11Cr18Ni9Ti
		W110	45	Viton	45 HT20-40
		W111	1Cr18Ni9Ti	Viton	1Cr18Ni9Ti ZG11Cr18Ni9Ti
		W112	1Cr18Ni9Ti	Perbunan N	1Cr18Ni9Ti HT20-40
		W115	1Cr18Ni9Ti	Ethylene-propylene rubber	1Cr18Ni9Ti HT20-40
W116	1Cr18Ni9Ti	Viton	1Cr18Ni9Ti HT20-40		

MODEL SELECTION TABLE										
SSG	*	*	*	*	*	*	*	*	*	*
SIZE	20									
	40									
ROTATION	R		(CW) Clockwise							
	L		(CCW) Counter Clockwise							
PITCH ANGLE	38		38 Degree							
	46		46 degree							
	54		54 Degree							
	56		56 Degree							
INSTALLATIONS	H		Horizontal							
	V		Vertical							
BEARING TYPE	G									
SEAL TYPE	M		Mechanical							
	P		Glands packings							
FILTER	F		With Filter							
	N		Without Filter							
DRIVE TYPE	D		Direct Coupled							
	G		Geared Reducer							
MOTOR	S		Standard IE3, Non Explosion Proof							
	E		Explosions proof IE3							

## Contact Us

### Business Hours

📞 Weekdays: 8.30AM to 5.30PM  
 Weekends: Closed

✉️ enquiry@spewpumps.com

📍 PT14515, Persiaran Batu Gajah  
 Perdan 8, Taman Perindustrian Batu  
 Gajah Perdan, 31550, Perak,  
 Malaysia